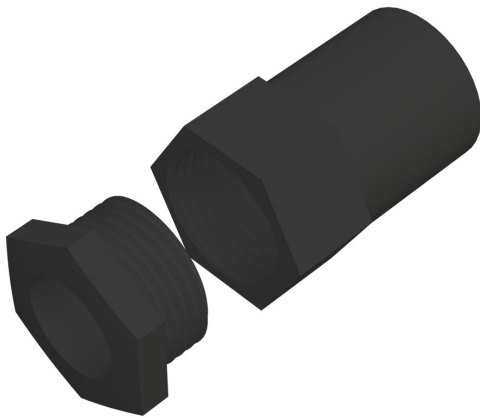


PRODUCT CODE: PAF20B
PVC CONDUIT ACCESSORIES



DESCRIPTION

20mm Female Adaptor

FINISH

Black

MATERIAL

PVC

PACKAGING

Packed in qty 100

ADDITIONAL NOTES

Manufactured to BS4607 part 1

